



***J Rail MAX***  
***Classic Hanging High***  
***Capacity System***

**pictureframehanging.com**  
 A division of Quadro Corporation  
 36 Harlow St., Worcester, MA 01605 USA  
 E-Mail: [sales@pictureframehanging.com](mailto:sales@pictureframehanging.com)  
 Phone : 888-366-8646 / 508-845-9390  
 Toll-Free Fax : 1-877-865-3219

Eliminate holes in walls forever! Display, change, add, remove or re-position artwork instantly and effortlessly! The J Rail MAX system is a classic channel hanging system designed for simplicity, versatility and a high load capacity. This system is well suited to museum installations where large works are displayed.

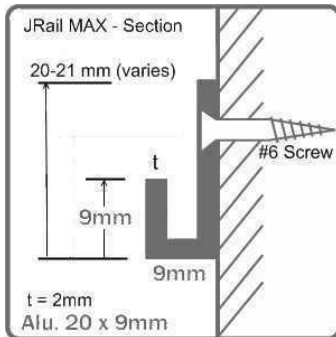
J Rail : MAX System Overview



J Rail MAX track is pre-drilled for #6 screws spaced at 30 cm. (approximately 12"). Track sections can be joined end to end for continuous runs of any length. J Rail MAX accepts both cables and rods which can slide in the track for horizontal adjustment. Hangers slide on the cables/rods for vertical adjustment & lock into position when finger pressure is released. For maximum stability 2 hanging cables/rods per frame are recommended. J Rail MAX track is intended for wall mounting applications and is suitable for frame walls (with screws driven into a backing structure such as a 2x4) or masonry (with supplied anchors).

This is a high capacity system with load ratings of up to 220 lb. per hook.

**J Rail MAX Track Specifications and Details**



- **Tracks sections are extruded aluminum, 200 cm (approx. 78.75") long.**
- **White track is powder coated. Grey is clear anodized.**
- **Track rated load capacity is 73 lb./linear foot (475 Lb./section).**
- **Cables are 2mm. in diameter. Clear Perlon (nylon) or braided steel.**
  - **Clear Perlon (nylon) cables are rated @ 33 lb./cable.**
  - **Braided steel cables are rated @ 45 lb./cable.**
- **Steel Rods are 3mm. diameter / 4x4 mm. square / 4x10 mm. rectangular.**
  - **3mm. diameter rods are rated @ 90 lb./rod.**
  - **4x4 mm. square rods are rated @ 90 lb./rod**
  - **4x10 mm. rectangular rods are rated @ 220 lb./rod**
- **Hanger ratings**
  - **For Cables > Smart Spring® 9 lb./hanger. Zipper® 22 lb./hanger.**
  - **3mm. diameter rod hanger > 35 lb./hanger.**
  - **4x4 mm. square rod hanger > 90 lb./hanger.**
  - **4x10 mm. rectangular rod hanger > 220 lb./hanger.**

**J Rail MAX System Components**

Part#	Description	Group	Part#	Description	Group
STA-RJ10220	J-RailMAX 78.75" Track-White	Track	STA-SL10115	Cable - 59" steel with looped end	Cable
STA-RJ30220	J-RailMAX 78.75" Track-Grey	Track	STA-SL10130	Cable - 118" steel with looped end	Cable
ACC0000019-01	Screw, Flat Head #6x1.25"	Track Accessory	STA-PL10115	Cable Perlon with LOOP End 59"	Cable
ACC0000020-01	Anchor, Plastic #6x1.00-1.50"	Track Accessory	STA-PL10130	Cable Perlon with LOOP End 118"	Cable
STA-HA30501	Hanger/Hook Zipper 22 Lb. Cap.	Hanger	STA-HR10400	S-Hook White for Loop End Cables	Cable Accessory
STA-HA30900	Hanger/Hook SmartSpring 9 Lb. Cap.	Hanger	STA-HR30400	S-Hook Grey for Loop End Cables	Cable Accessory
STA-HA30600	Hanger/Hook Theft Delay Security	Hanger	STA-SO10115	JRail 59"x3mm U top Hang Rod WHITE	Rod
STA-HA30700	Hanger/Hook for 3mm J-Rail rods	Hanger	STA-SO30115	JRail 59"x3mm U top Hang Rod GREY	Rod
STA-HA40600	JRailMAX Hanger for 4x4mm. Rod	Hanger	STA-SM10115	JRailMAX 59"x4x4mm WHITE Hang Rod	Rod
STA-HA40500	JRailMAX Hanger for 4x10mm. Rod	Hanger	STA-SM30115	JRailMAX 59"x4x4mm GREY Hang Rod	Rod
			STA-SM10215	JRailMAX 59"x4x10mm WHITE Hang Rod	Rod

- Track orders include installation hardware > #6 screws & anchors for pre-drilled track, 8 each per track section.
- All product ships from our Worcester, MA warehouse.

For current pricing, to order and for multimedia information visit <http://pictureframehanging.com>